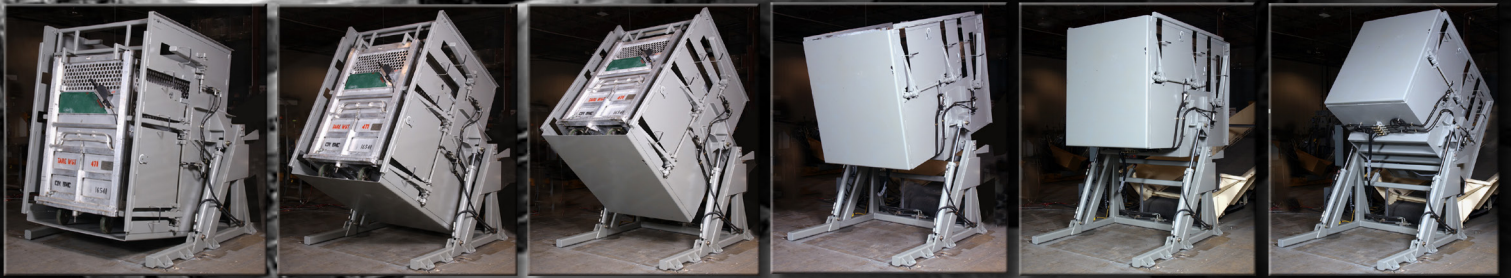


AUTOMATIC CONTAINER UNLOADER



AUTOMATIC CONTAINER UNLOADER EASY, COMPREHENSIVE UNLOADING OF LETTERS, FLATS AND PARCELS

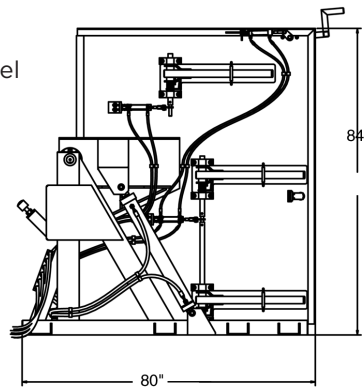
The Automatic Container Unloader provides easy unloading of all types of mail pieces into containers for further transportation and handling. The unit will accommodate all postal containers, including over-the-road and postal packs, through the use of DRS' patented Automatic Retention System.

AUTOMATIC CONTAINER UNLOADER

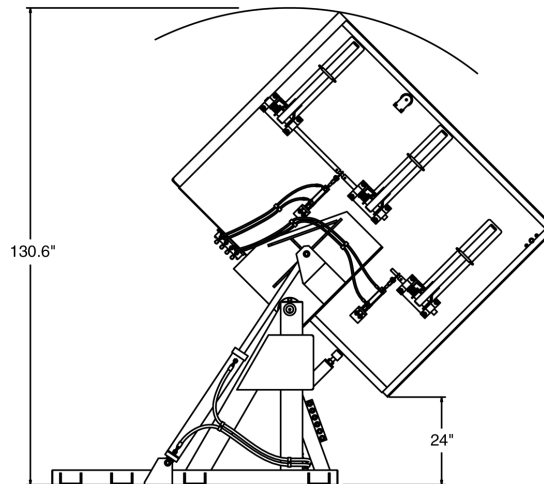
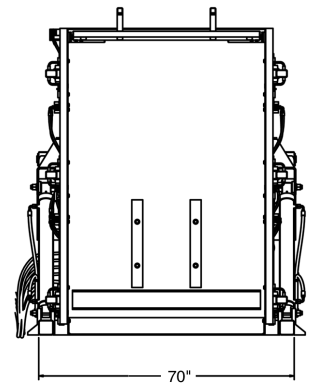
HIGHLIGHTS

- Automatic Retention System
- Eliminates manual intervention (no steel bar)
- Passive restraining arms
 - Very gentle on containers
 - Does not inhibit mail flow
- Automatically retains the following container types:
 - Over-the-road
 - Postal Pak
 - Wiretainer
 - Sleeves 76.2 cm / 30 inches, 121.9 cm / 48 inches, 137.2 cm / 54 inches, 152.4 cm / 60 inches
 - Eastern region Mail Container / Universal Mail Container
 - General purpose mail container
 - Pallet
 - 1046 Hamper
- Fully automatic mode or operator-controlled mode
- Small footprint 203.2 cm x 177.8 cm x 213.4 cm / 80 inches x 70 inches x 84 inches
- Cycles in less than 60 seconds
- Combined hydraulic power unit /control panel subsystem
- Simple design is very easy to maintain

SIDE VIEW



TOP VIEW



Specifications subject to change without notice.

The products identified herein are controlled for export under the U.S. Export Administration Regulations (EAR) and may not be exported or transferred to any non-U.S. Person, country or entity, by any means, without prior authorization from the U.S. Department of Commerce, Bureau of Industry and Security (BIS).

Cleared by U.S. DoD/OSR for public release under OSR Case Number 07-S-1567, dated May 21, 2007

05-2017