

1500VA Tactical UPS 853 Series



1500VA TACTICAL UPS

DRS Pivotal Power's 1500VA Tactical Uninterruptible Power Supply (UPS) provides conditioned backup power to command, control, and communication equipment where a clean, reliable power supply is essential. The Tactical UPS provides 115 VAC, 60 Hz single phase, high quality output power using Type 1, 115 VAC supply conforming to MIL-STD-1399.

If input power is lost, or if the power quality is outside acceptable limits, the UPS system will seamlessly switch to the internal, hot-swappable battery pack providing five minutes of backup (at full load) and upon restoration automatically revert to main's input power.

The Tactical UPS functions as a power conditioner, managing surges, spikes and transients, while providing stable voltage to the connected equipment with less than 5% harmonic distortion.

The Tactical UPS utilizes true sine-wave circuitry implementing interleave boost technology allowing for greater efficiency and higher power density.

Each Tactical UPS consists of internal power modules, control and communication circuitry and an internal hot-swappable battery pack.



1500VA TACTICAL UPS

ELECTRICAL INPUT

Voltage Range	85-155 VAC; 115 VAC nominal single phase
Frequency	47-63 Hz
Connection	MS3102R16-10P

ELECTRICAL OUTPUT

Voltage	120±2% VAC, single phase
Frequency	60.0 ± 0.1 HZ
Power Quality	< 2% THD
Power Rating	1500 VA / 1050 W
Backup Time	5 minutes at full load with internal battery pack
Efficiency	90% at rated load
Output Connection	MS3102R16-10P (2)

STATUS MONITORING

Display	LED indicators
Indicators	LED status - (red/green/amber)

COMMUNICATION

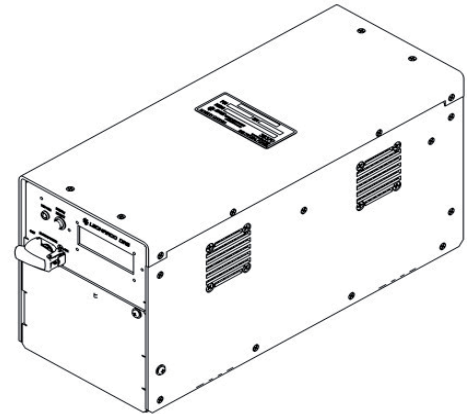
Signaling Interface	RS232
---------------------	-------

ENVIRONMENTAL

Operating Temperature	0°C to +55°C / 32°F to +131°F
EMI/EMC	MIL-STD-461F
Vibration	MIL-STD-167-1A, Type 1, 4 Hz to 33 Hz
Shock Resistance	MIL-STD-901D, Grade A, Class I
Humidity	MIL-STD-810G, 0-95%
Cooling	Forced air
IP Rating	IP-32

PHYSICAL CHARACTERISTICS

Dimensions	18.4 L x 7 W x 8.28 H inches (465 mm x 177 mm x 210 mm)
Weight	24 kg (52 lbs) inclusive of battery
Mounting	Console mounted configuration



AVAILABLE OPTIONS

Signal Interface	9-pin Tri-level alarm output
------------------	------------------------------

ADDITIONAL INFORMATION

Part Number	NSN
853-01-01	TBD

Cage Code	38370
-----------	-------