

## BOX CONTAINER LOADER



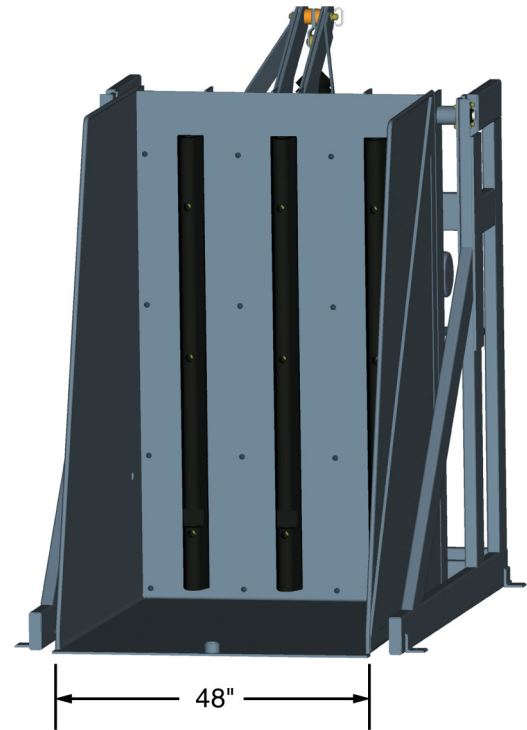
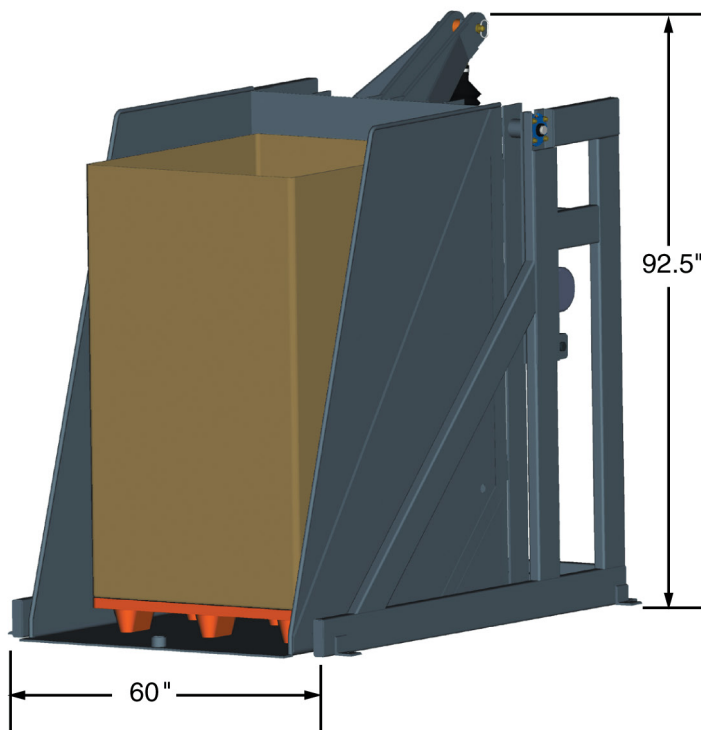
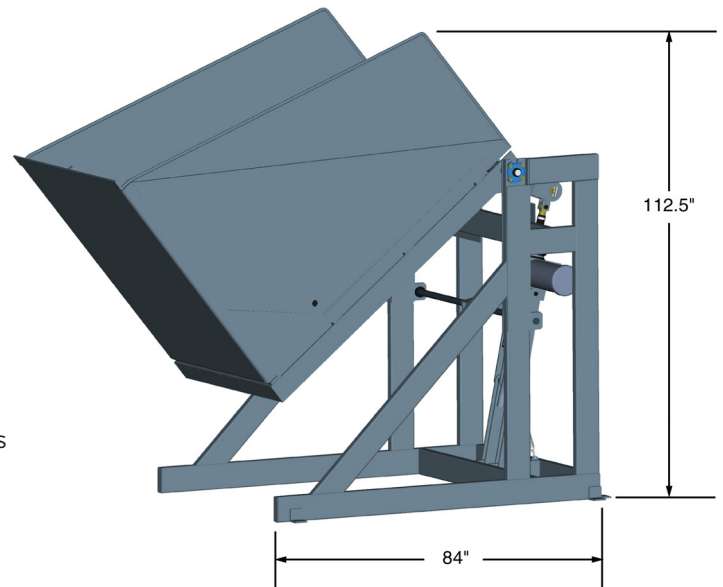
## BOX CONTAINER LOADER, EASILY CONTAINERIZES LETTERS, FLATS AND PARCELS

The Box Container Loader easily loads all types of mail pieces - letters, flats and parcels - into containers, and accommodates all postal containers, including over-the-road and postal packs.

# BOX CONTAINER LOADER

## HIGHLIGHTS

- Accommodates standard postal containers: over-the-road and postal packs
- 3,000 lb. payload
- Occupational Safety and Health Administration compliant
- Programmable logic controller via an Allen-Bradley
- MicroLogix™ 1000-series controller
  - Well supported
  - Spared throughout U.S. Postal Service (USPS)
- Capable of providing remote maintenance and diagnostics
- Constructed of heavy gauge steel
- Reinforced bucket sidewalls
- Floor-level entry and exit allows manual loading/unloading of over-the-roads and postal packs
- Designed for fast, easy installation
- Ball screw actuator is Duff-Norton, M-9805 series
  - Field-proven
  - Spared throughout USPS



Specifications subject to change without notice. The products identified herein are controlled for export under the U.S. Export Administration Regulations (EAR) and may not be exported or transferred to any non-U.S. Person, country or entity, by any means, without prior authorization from the U.S. Department of Commerce, Bureau of Industry and Security (BIS).

This document does not contain any technology or technical data subject to U.S. export control.

05-2017